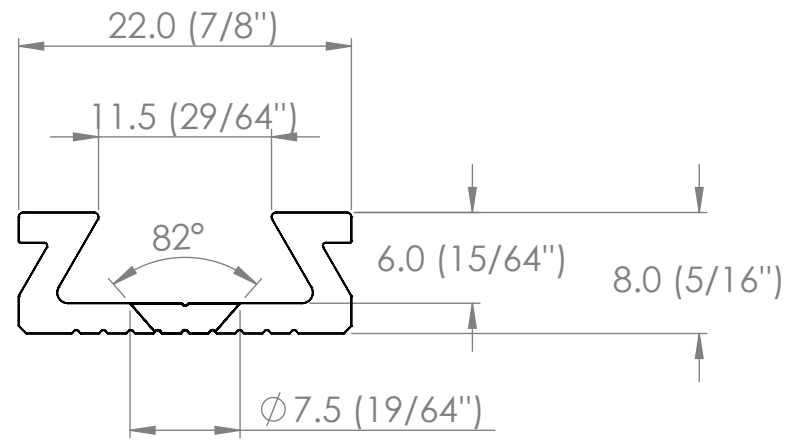
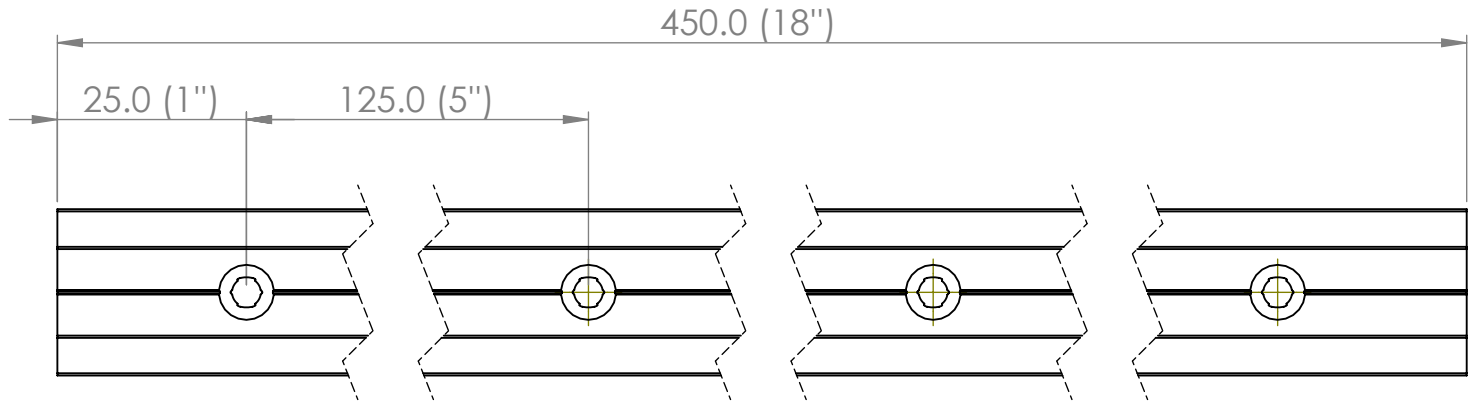


6 5 4 3 2 1



MATERIAL- ALUMINUM 6063-t5
 FINISH- CLEAR ANODIZE COATING
 LENGTH TOLERANCE- metric (+/-0.5mm), inch (0/-0.25")
 PROFILE TOLERANCE- metric (+/-0.15mm), inch (+/-0.005")
 HOLE POSITION TOLERANCE- metric (+/- 0.5mm), inch (+/-0.02")

6 5 4 3 2 1

D
C
B
A

D
C
B
A