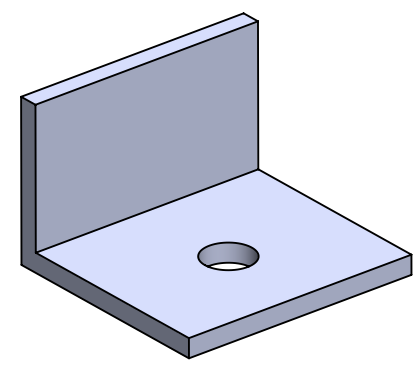
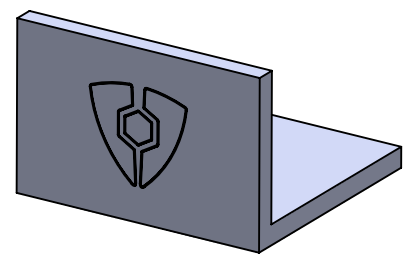
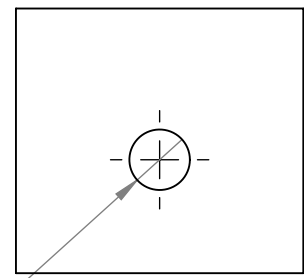
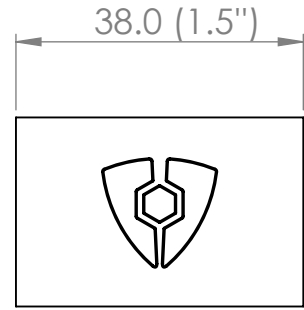
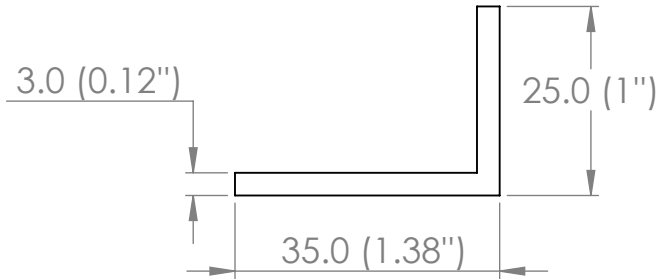




SHORT STOP



MATERIAL- ALUMINUM 6063-t5
FINISH- GLASS BEAD BLAST
LENGTH TOLERANCE- metric (+/-0.5mm), inch (0/-0.25")
PROFILE TOLERANCE- metric (+/-0.15mm), inch (+/-0.005")
HOLE POSITION TOLERANCE- metric (+/- 0.5mm), inch (+/-0.02")