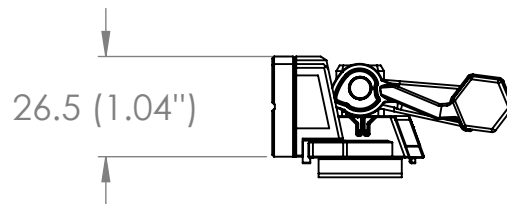
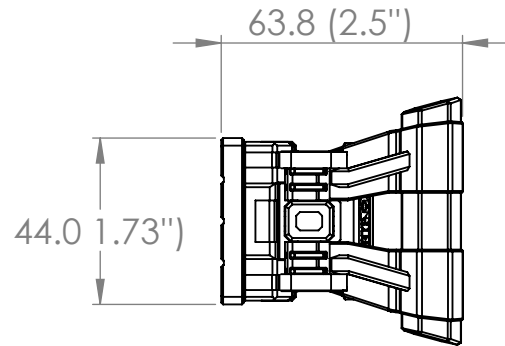
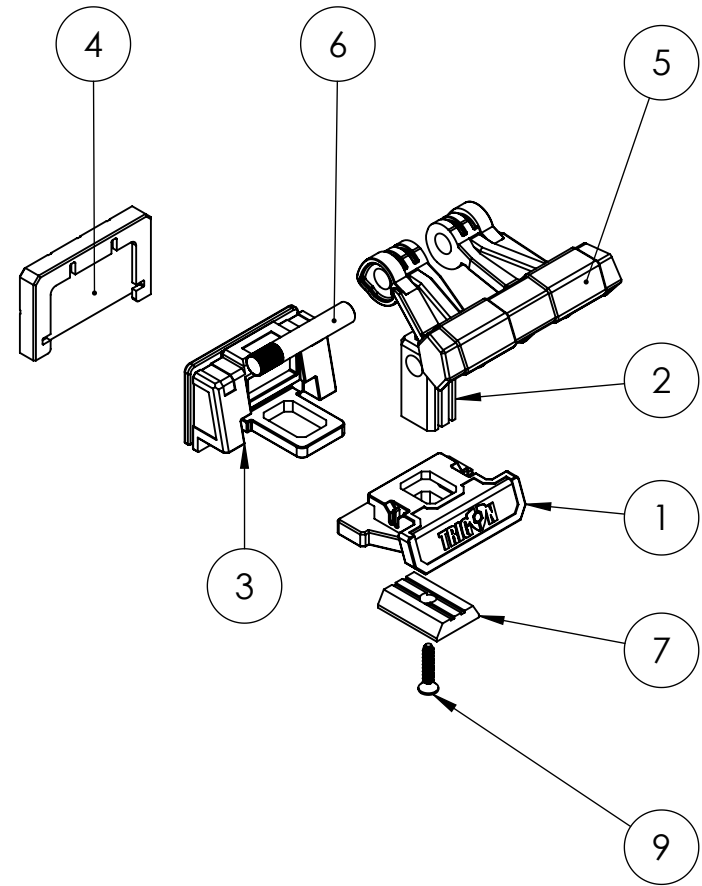


ITEM NO.	PART NAME	DESCRIPTION	QTY.
1	sliding body	GF polemer	1
2	pressure leg	GF polymer	1
3	jaw	GF polymer	1
4	jaw rubber	TPE rubber	1
5	handle lever	GF polymer	1
6	pin	stainless steel 304	1
7	plate	aluminum	1
9	PT screw	stainless steel 304	1



D

D

C

C

B

B

A

A

6

5

4

3

2

1

6

5

4

3

2

1